

## Fire and Explosion Protection in the Automobile Industry

---

The automobile and automobile supply industries belong to the biggest branches of industry worldwide. With sophisticated vehicles produced in large quantities, they meet the increasing demand in the field of motorised traffic. However, the numerous production steps hold many risks. Sparks, glowing embers or particles can be generated and cause fire or dust explosions. A GreCon spark detection and extinguishment system significantly increases the safety and protection of the production facilities. It detects dangerous ignition sources in time and automatically extinguishes them without interrupting production – and has done so successfully for more than 35 years.

### THE RIGHT SOLUTION

- ✓ a fast, reliable spark extinguishing system which is especially adapted to your production
- ✓ the detection of sparks and glowing particles in the areas at risk
- ✓ protection without interrupting production

## RISKS

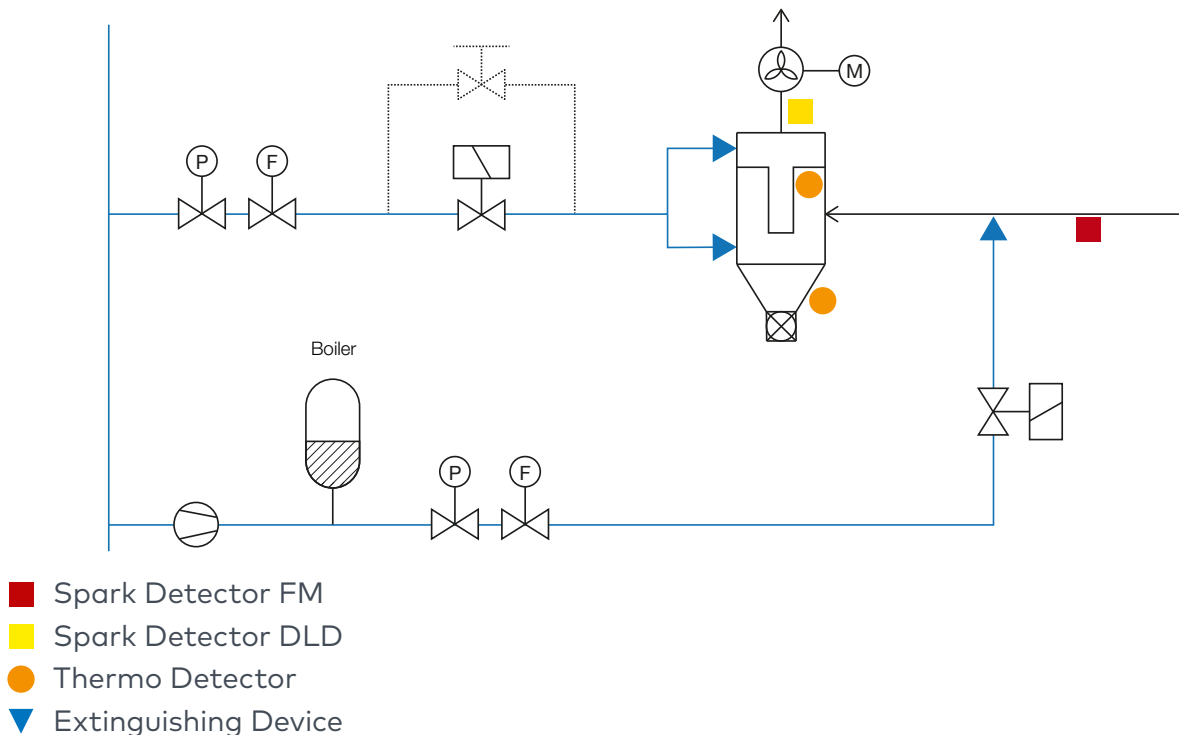
Many production processes, such as milling, casting, hardening and welding, can cause sparks or glowing particles due to high temperatures or defective machines. These ignition sources can spread via extraction systems and trigger off a fire or dust explosion throughout the production plant.

## DANGER ZONES

Fire or explosions in the automobile industry can damage or even destroy the facilities. A GreCon spark detection and extinguishment system monitors and protects the following areas at risk

- ✓ Hardening shop
- ✓ Foundry
- ✓ Core removal
- ✓ Welding line
- ✓ Milling machine
- ✓ Filter
- ✓ Oil mist separator

## DIAGRAM OF PROTECTION CONCEPT



Fagus  GreCon

Fagus-GreCon Greten GmbH & Co. KG  
Hannoversche Straße 58  
31061 Alfeld · Germany

+49 5181-790  
info@fagus-grecon.com  
www.fagus-grecon.com